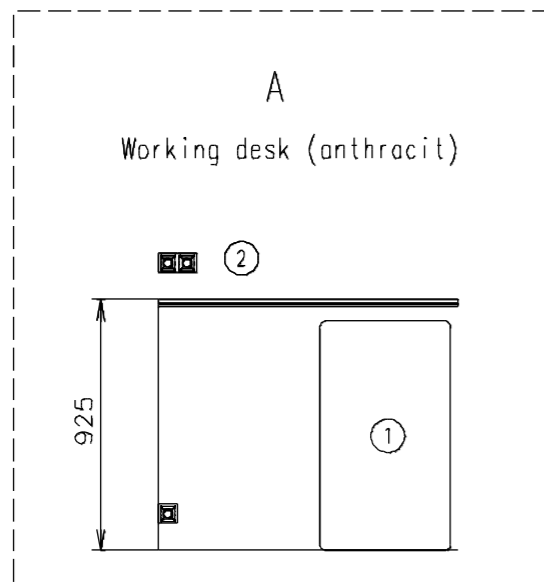
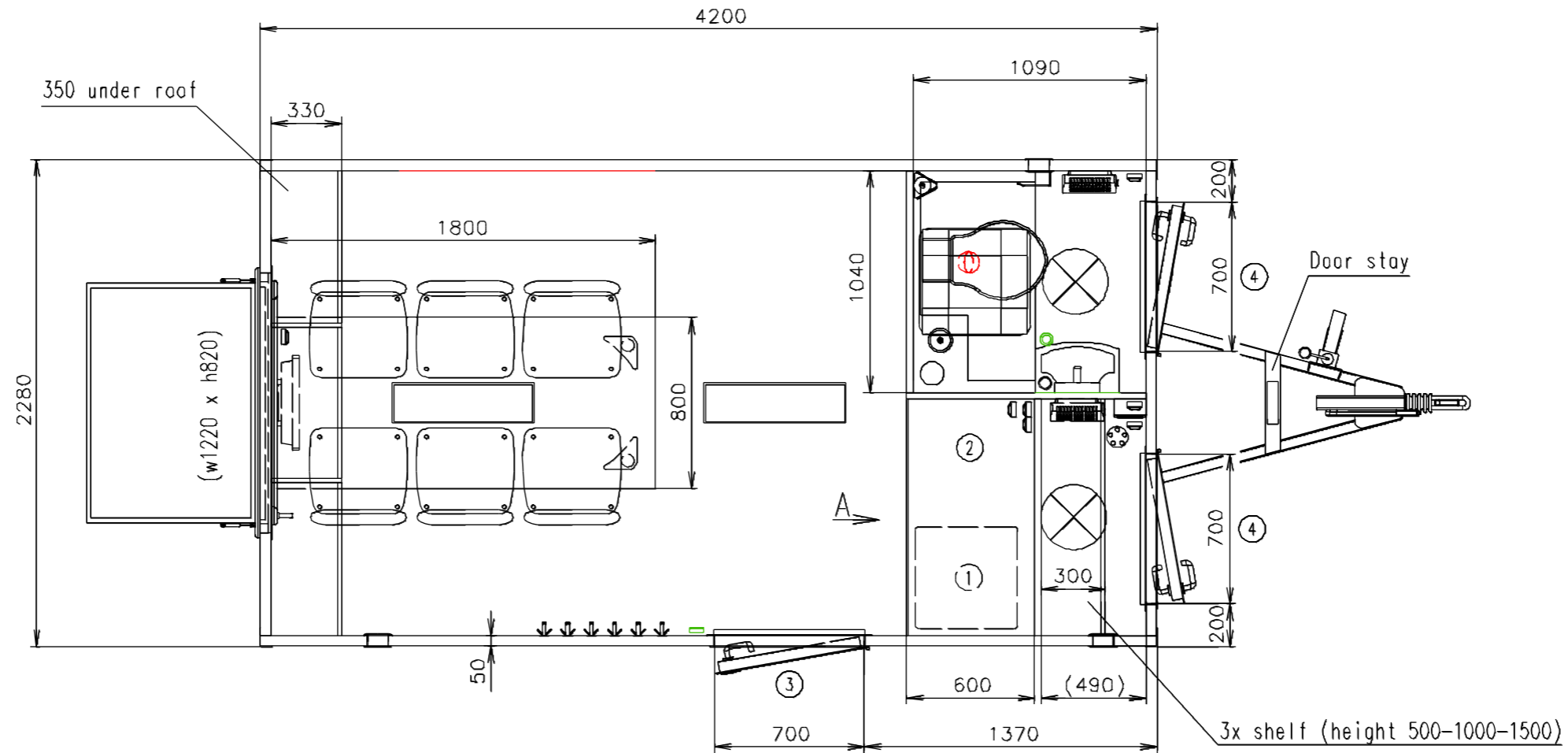


Connection hoses and cables	
Water hose:	✗
Waste water hose:	✗
Electric cable:	✓



(Cabling and piping is not shown on the 3D views and drawings)

Notes:


Interior height:	2100 mm	Total weight:	1300 kg
Color:	RAL 9010	Tare weight-estimate:	1050 kg
Floor:	PVC gray	Centre of wheels from rear side:	2280 mm
Date:	29.7.2015	Wheels:	165 R13C

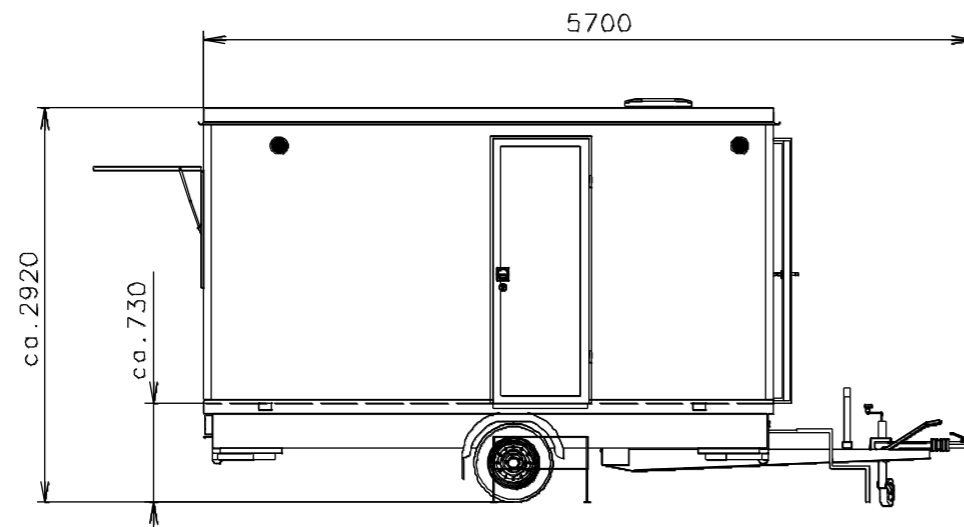
EUROWAGON

Drawing number:

36T+M-42-2_1/2

Connection hoses and cables	
Water hose:	✗
Waste water hose:	✗
Electric cable:	✓

- | | | |
|--|--|---|
|  Electric connection (through the floor) (230V-16A) |  Wash-basin with foot pump |  Shelf |
|  Effluent connection 2" |  Tank toilet Global |  Brush toilet |
|  Power point |  Window opening inside + shutter (870 over floor) |  Toilet paper holder |
|  Double power point |  Roof window Dometic (400x400) |  Clothes hanger |
|  Light switch |  Ventilation ø120 |  Mirror (400x400) |
|  Switch board (under roof) |  Chair |  Cork noticeboard (1200x800) |
|  Droplight |  Desk permanent fixed (1800x800) |  Fridge |
|  Sensorlight | |  Coffee machine |
|  Heating (500W) | |  Standard free standing stairs |
|  Heating (750W) | |  Standard hanging stairs - short |
|  Floor drain hole | | |



(Cabling and piping is not shown on the 3D views and drawings)

Notes:

Interior height:	2100 mm	Total weight:	1300 kg
Color:	RAL 9010	Tare weight-estimate:	1050 kg
Floor:	PVC gray	Centre of wheels from rear side:	2280 mm
Date:	29.7.2015	Wheels:	165 R13C

EUROWAGON

Drawing number:

36T+M-42-2_2/2